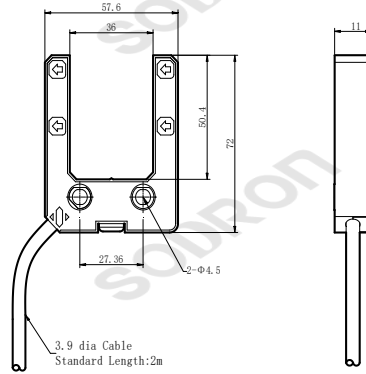




Dimension



Model

GE25-BNO
 GE25-BNC
 GE25-BPO
 GE25-BPC

Technical parameters

Detection method	Slot-shaped			
Sensing distance	Slot Width: 25mm			
Model	GE25-BNO	GE25-BNC	GE25-BPO	GE25-BPC
Output mode	NPN		PNP	
Output state	Dark-ON	Light-ON	Dark-ON	Light-ON

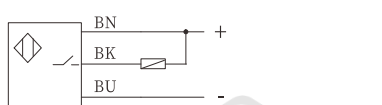
- Product features**
- Through beam, 850nm infrared light
 - ASIC, Fast response, High frequency
 - IEC IP54

Standard target	> φ4mm (Opaque object)
Light source	850nm infrared light
Supply power	12 to 24V DC±10% impulse P-P 10% or less
Residual voltage	< 2V (Load Current: ≤100mA)

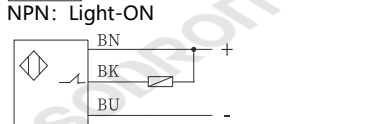
Connection

NPN: Dark-ON

Current consumption	≤30mA
Load current	≤100mA
Circuit protection	Reverse polarity connection protection, short-circuit protection, overload protection



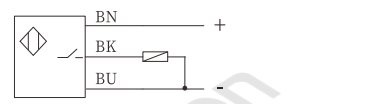
Response time	<1ms
Indicator light	Output LED: red Power & Stability Indicator: Green LED
Connection	Cable 2m PVC (4 Pin)



Ambient illumination	Sunlight :10,000Lx lamplight:3,000Lx
Ambient temperature	Work:-25°C~+55°C, Store:-30°C~+70°C(No dew condensation or icing allowed)
Ambient humidity	Work: 45~85%RH, Store: 35~95%RH, (No dew condensation)

PNP: Dark-ON

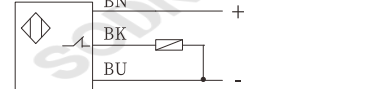
Withstand voltage	1000VAC,50/60Hz 1min between current-carrying parts and case
-------------------	--



Insulation resistance	> 20MΩ (DC500 MΩ Meter)
Anti-vibration	10~55Hz double-amplitude 1.5mmX,Y,Z 2h
Impact resistance	500 m/s ² (X, Y, Z directions, 3 times)

PNP: Light-ON

Protection degree	IEC IP54
-------------------	----------



Housing	PBT+ABS
Material	Cover: PC, Lens: PC